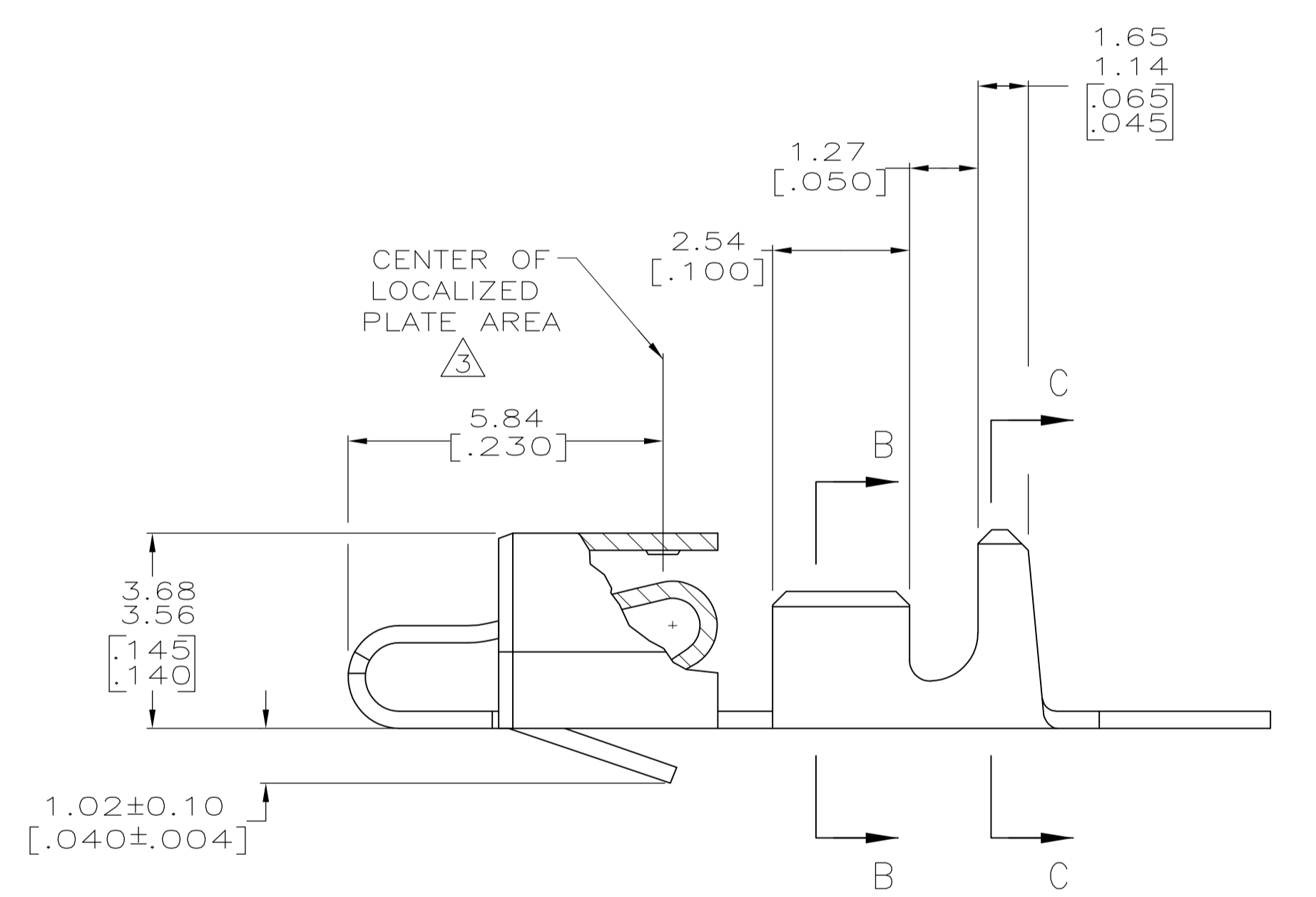
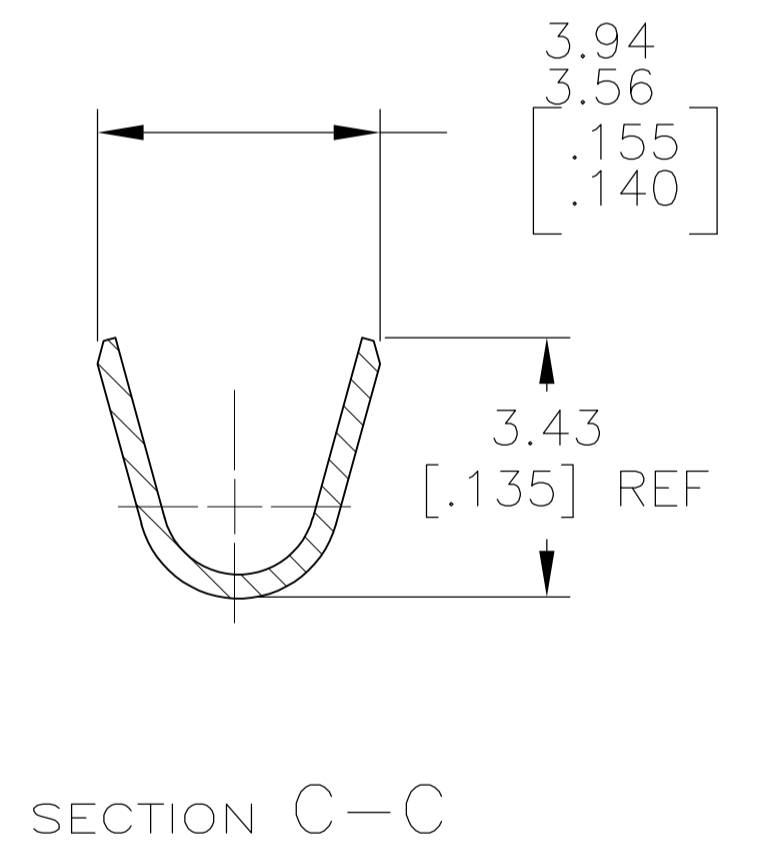
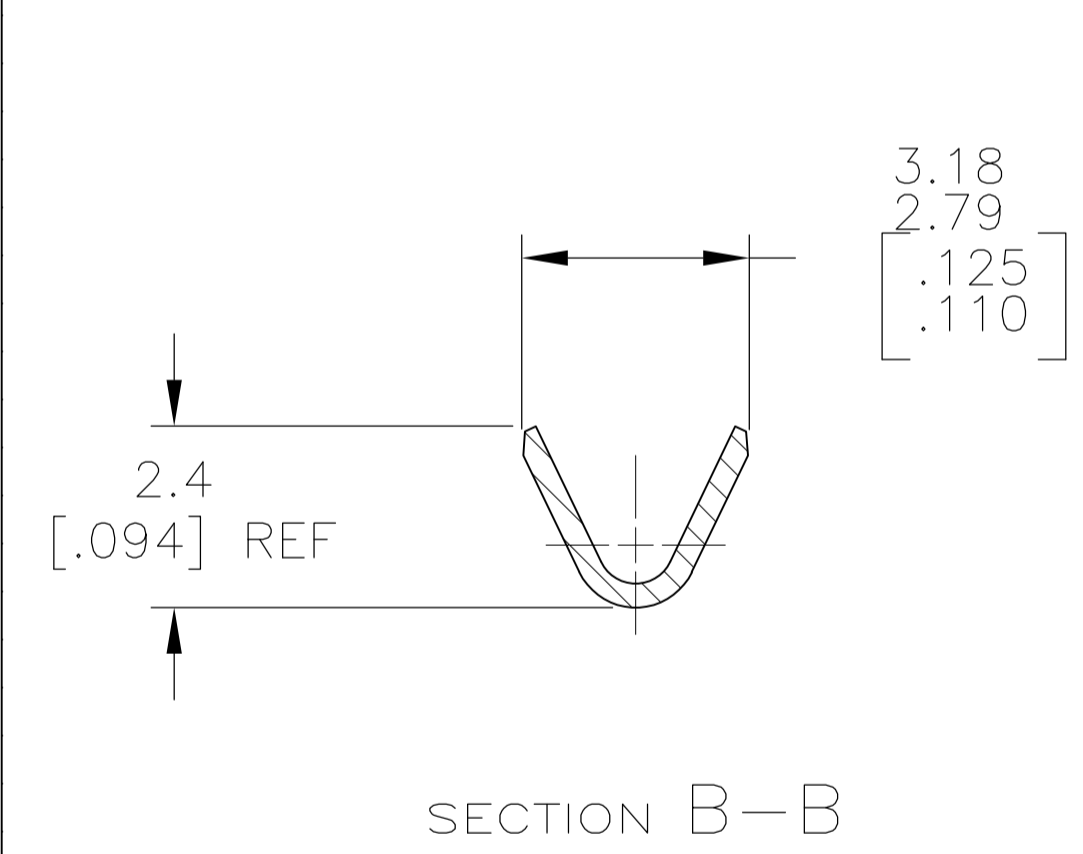
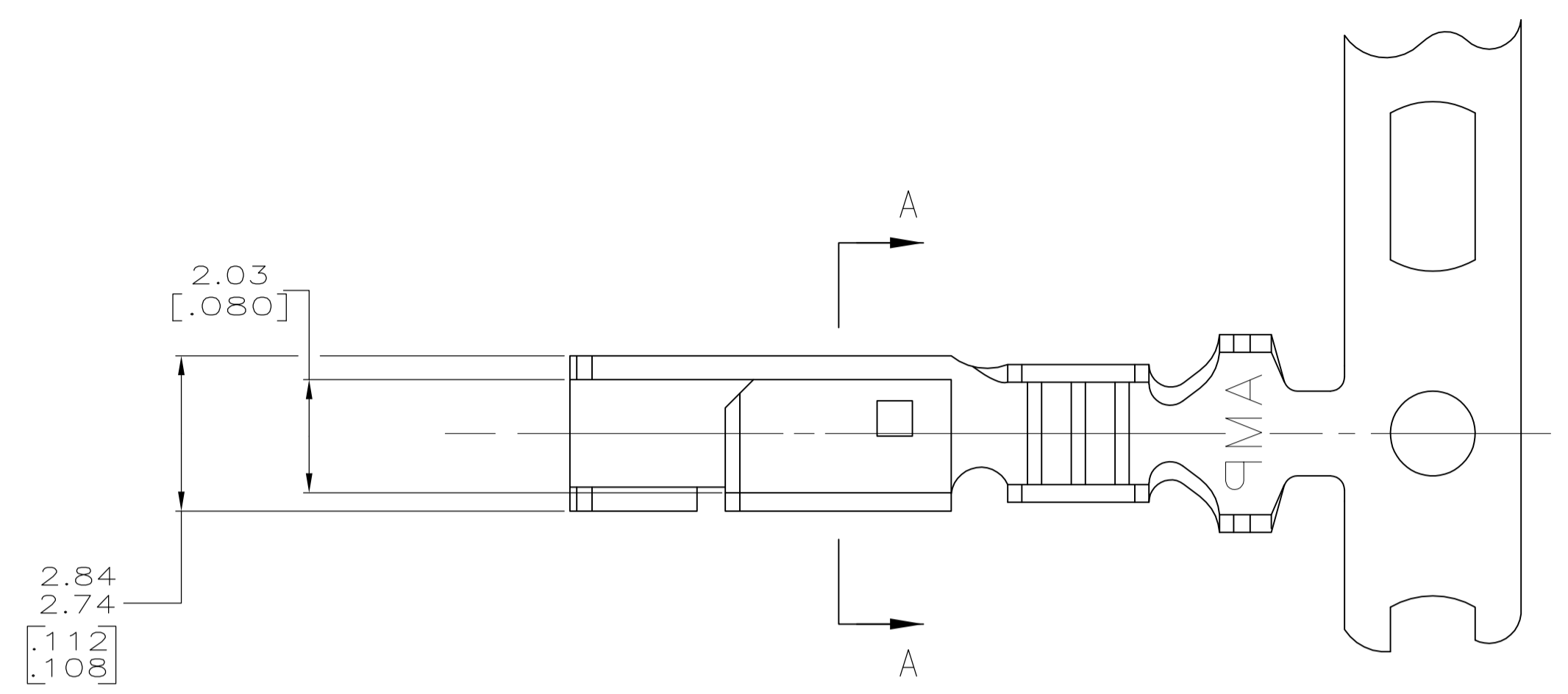
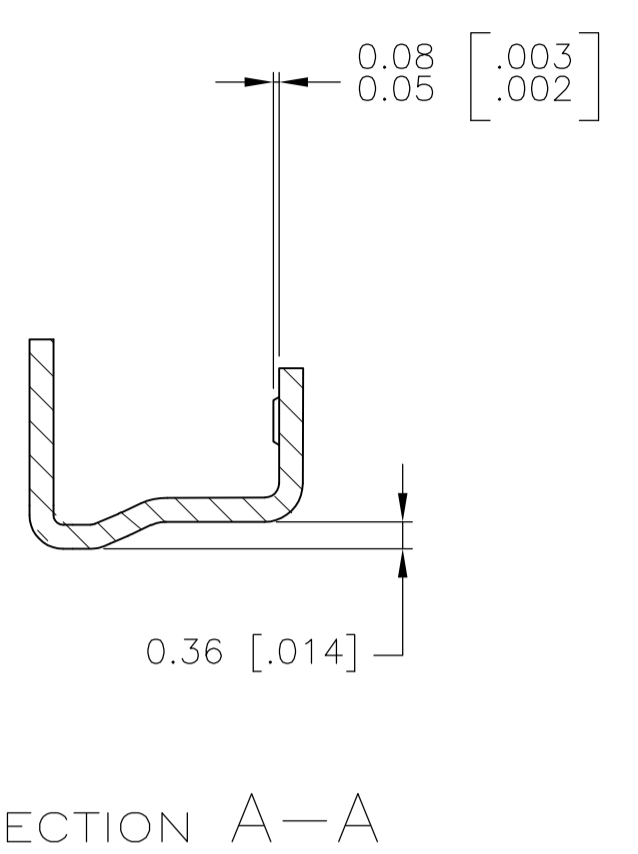


LOC	DIST	REVISIONS			
P	LTR	DESCRIPTION	DATE	DN	APVD
CM	00				
K1		REVISED PER ECO-11-004587	11MAR11	RK	HMR



- INSULATION RANGE: 1.09–2.79 [.043–.110]  
WIRE RANGE: 0.2–0.9 mm<sup>2</sup> (24–18) AWG.
- 0.00203 [.000080] MIN BRIGHT TIN-LEAD OVER  
0.00127 [.000050] MIN NICKEL.
- 0.00076 [.000030] MIN THICK GOLD STRIPES IN  
LOCALIZED PLATE AREA ON BEAM AND DIMPLE OVER  
0.00127 [.000050] MIN THICK NICKEL OVER ENTIRE  
CONTACT.
- DIMENSIONS IN BRACKETS ARE IN INCHES.
- 0.00203 [.000080] MIN TIN OVER  
0.00127 [.000050] MIN NICKEL.

△	3-770476-1
△	770476-2
△	770476-1
FINISH	PART NO.

METRIC

THIS DRAWING IS A CONTROLLED DOCUMENT.

DIMENSIONS: mm [INCHES]	TOLERANCES UNLESS OTHERWISE SPECIFIED:	DIN K. WHITAKER 18OCT2004	CHK J. ELLIS	NAME J. ELLIS
0 PLC ± -	1 PLC ± -	APVD J. ELLIS	PRODUCT SPEC	SIZE A1
2 PLC ± -	3 PLC ± .005	APPLICATION SPEC	WEIGHT	CAGE CODE 770476
4 PLC ± -	ANGLES ± 0°30'	MATERIAL	FINISH	DRAWING NO 770476
CUSTOMER DRAWING		SCALE 10:1		SHEET 1 OF 1

STE TE Connectivity

RECEPTACLE, SL-156

RESTRICTED TO

REV K1